

Helios II 1100c

LAMPHEAD CONTENTS

- Lamp Housing
- Hanging Wire
- Black Skirt
- Silk Skirt
- Target Assembly
- AC Cable

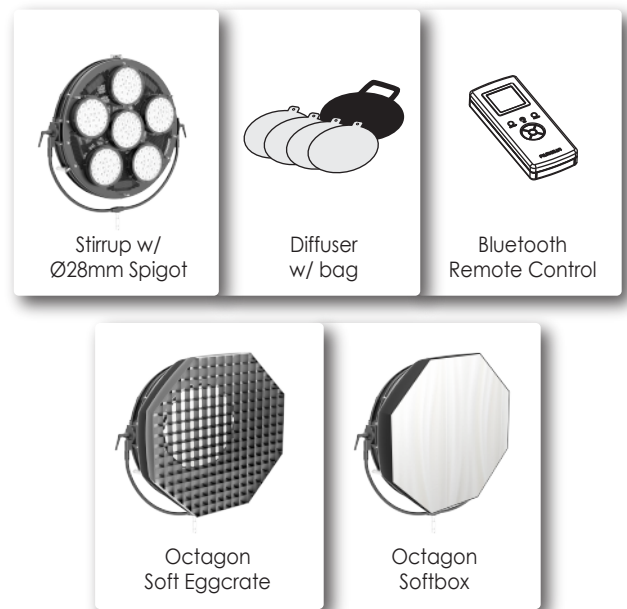


HELIOS II 1100C

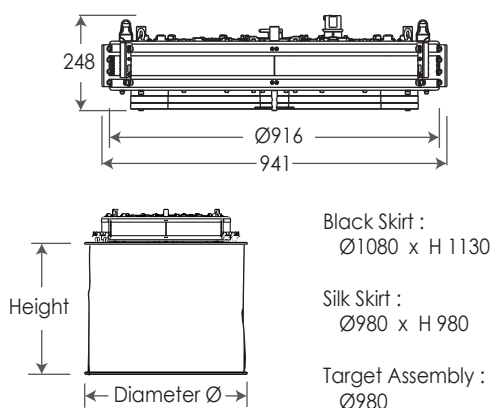
SPECIFICATIONS

Identity No.	L0110SLC2
Max. Capacity	1080W
Voltage	100 - 240V AC
Current	5A@ 220V AC
Color Temp. Range	2700K ~ 10000K
Color	R/G/B/W color mixing
CRI	Average >95
TLCI	Average >90
Dimming Range	0-100%
Control Signal	DMX / RDM
Communication	DMX XLR-5, CRMX (LumenRadio), Bluetooth, Ethernet, USB A
DMX Channel	Varied (depends on DMX mode selection)
LED Lifetime	30,000 Hrs (Estimated)
Max. Surface Temp.	60°C
Max. Ambient Temp.	45°C
Weight (Lamphead)	32kg

ACCESSORIES



DIMENSIONS (mm)

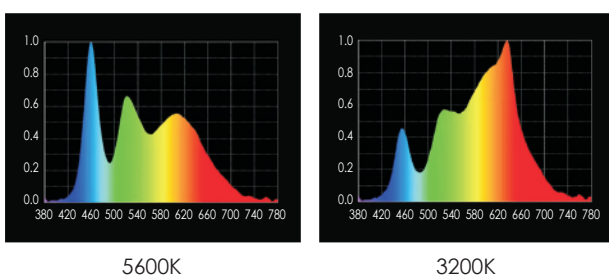


PHOTOMETRIC DATA

	5600K		3200K	
	Lux	Beam Ø	Lux	Beam Ø
2m	37000	0.85m	38750	0.85m
4m	9250	1.7m	9688	1.7m
6m	4111	2.55m	4306	2.55m
8m	2313	3.4m	2422	3.4m
10m	1480	4.25m	1550	4.25m

Naked, no skrit

SPECTRUM



HISTOGRAM

