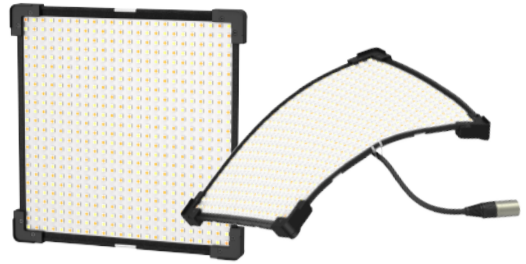
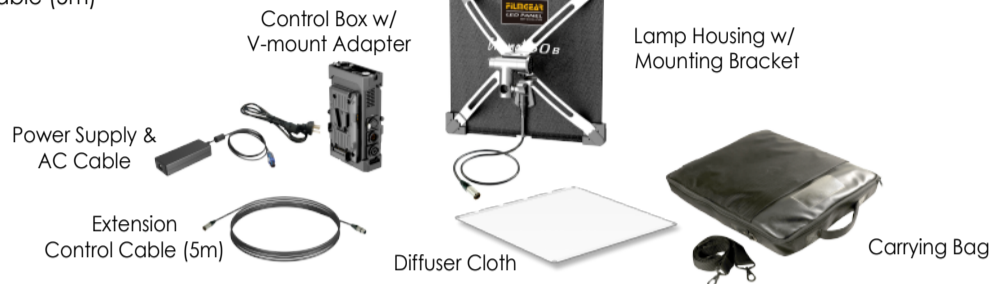


# Cinemat 50B

## LAMPHEAD CONTENTS

- Lamp Housing
- Mounting Bracket
- Diffuser
- Control Box with V-mount Adapter
- Power Supply & AC Cable
- Extension Control Cable (5m)
- Carrying Bag



## CINEMAT 50B

### SPECIFICATIONS

Identity No.	L0005CMB
Max. Capacity	50W
Color Temp. Range	2800K - 6200K
CRI	Average >95
TLCI	Average >95
Dimming Range	0-100%
Control Signal	DMX 512
DMX Channel	2
LED Lifetime	30,000 Hrs (Estimated)
LED	288 pcs. Cold White SMDLED 288 pcs. Warm White SMDLED
Weight	405g

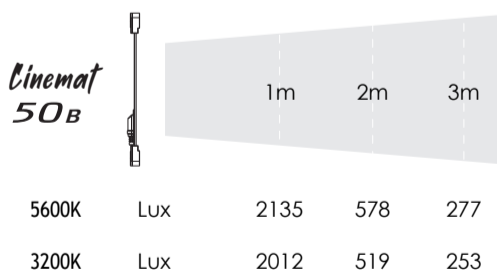
### CONTROL BOX

Identity	A0050LCB
Capacity	50W
Input Voltage	22 - 36V DC
Weight	990 g

### POWER SUPPLY

Capacity	90W
Input Voltage	100 - 240V AC

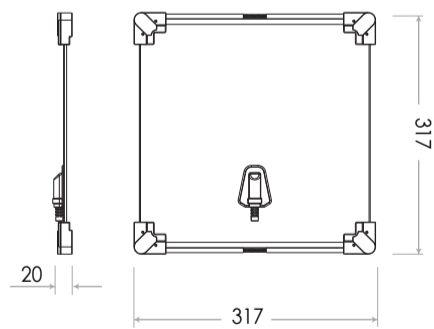
### PHOTOMETRIC DATA



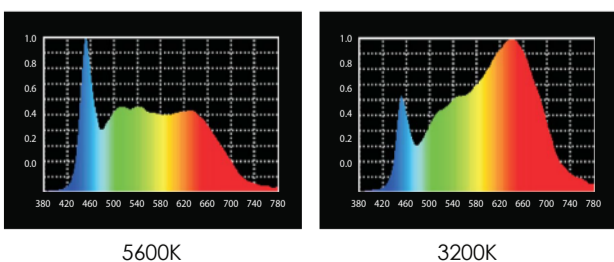
### ACCESSORIES



### DIMENSIONS (mm)



### SPECTRUM



### HISTOGRAM

