



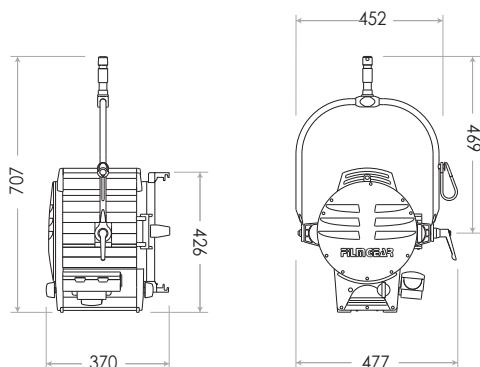
## Tungsten Fresnel 5000W Junior

### LAMPHEAD CONTENTS

- Lamp Housing without Bulb # (purple grey & silver color)
- 4-leaf Rotatable Barndoor with Safety Wire
- Ø250mm (9-7/8 in.) Fresnel Lens
- Panel Switch
- Inlet Cable 4m (13 ft.)
- Stirrup with Ø28mm (1-1/8 in.) Spigot

# Requires Lamp Bulb

### DIMENSIONS (mm)



## Tungsten Fresnel 5000W Junior

### SPECIFICATIONS

Identify No.	L05000TJ (220V)
	L05000TJ1 (110V)
Capacity	5,000W
Voltage	200 - 240V AC or 100 - 120V AC
Fresnel Lens	Ø250mm (9-7/8 in.)
Lamp Type	5000W SE
Color Temp.	3200K
Lamp Holder	G38
Stirrup	Ø28mm (1-1/8 in.) Spigot
Class / IP Rating	1 / IP 20
Max. Surface Temp.	220 °C
Max. Ambient Temp.	45 °C
Min. Distance to Illuminated Object	5m
Min. Distance to Flammable Object	1.5m
Operating Range	+38° ~ 0° ~ -38°
Weight (lamphead)	14.4kg
Weight (with barndoor)	16.1kg

### ACCESSORIES

4-leaf Rotatable Barndoor

Filter Frame

Set of 4 Scrims Ø330mm (13 in.) :

Full Single, Full Double, Half Single, Half Double

Scrim Bag

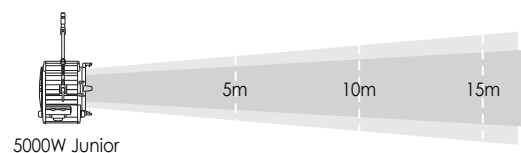
Variable Snoot

Spill Ring

Safety Cable (for lamphead)

Safety Wire (for barndoor)

### PHOTOMETRIC DATA



5000W Junior

Spot (10°)			
Lux	23230	5808	2581
Beam Ø	0.87 m	1.75 m	2.62 m
Flood (54°)			
Lux	3575	894	397
Beam Ø	5.10 m	10.19 m	15.29 m